

# GPS Passive Antenna

## MODEL: GA-38-PS



### FEATURES:

- Compact Construction/ Low Profile/  
Fully Waterproof IPX7
- Magnet and Screw Mount Base
- Excellent Temperature Stability
- Without LNA
- High Sensitivity

### APPLICATIONS:

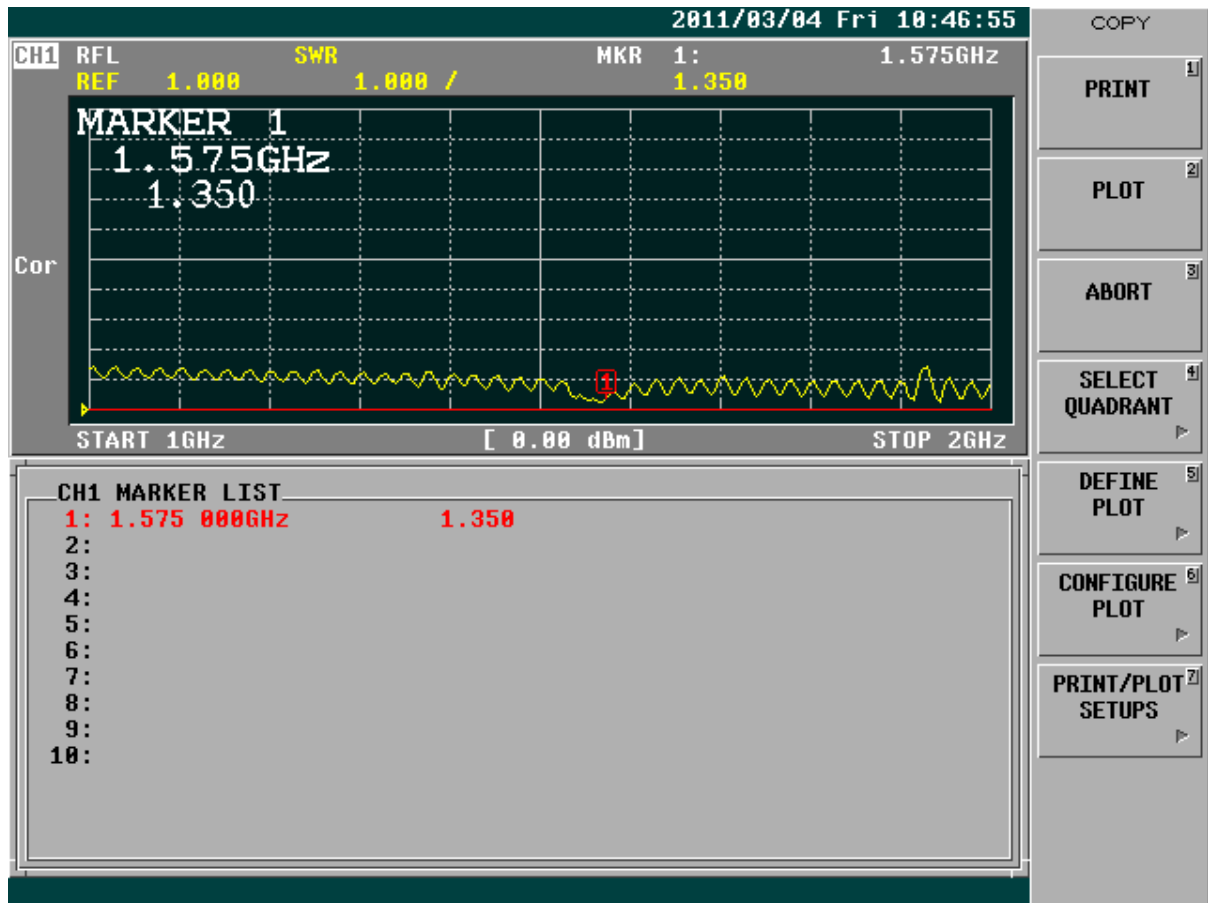
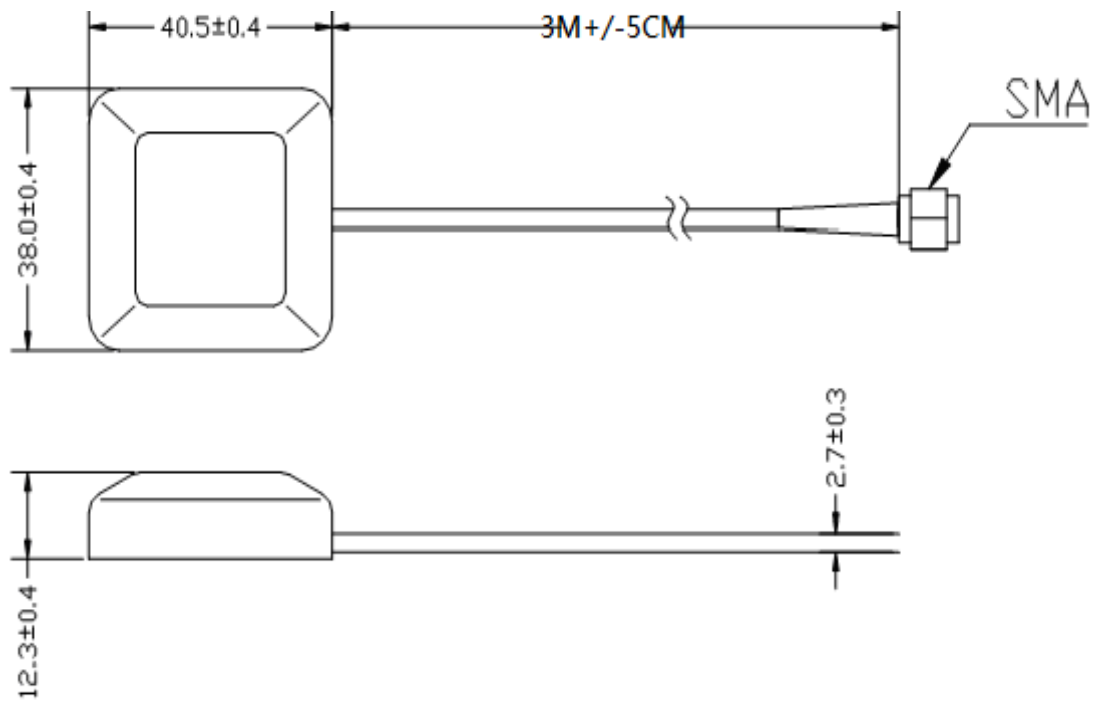
- Automobile GPS
- Bluetooth Receiver
- Car Tracking Navigation System
- AVL / Fleet Management Systems
- External Antenna for Handheld GPS
- External Antenna for PDA Navigator

### SPECIFICATIONS:

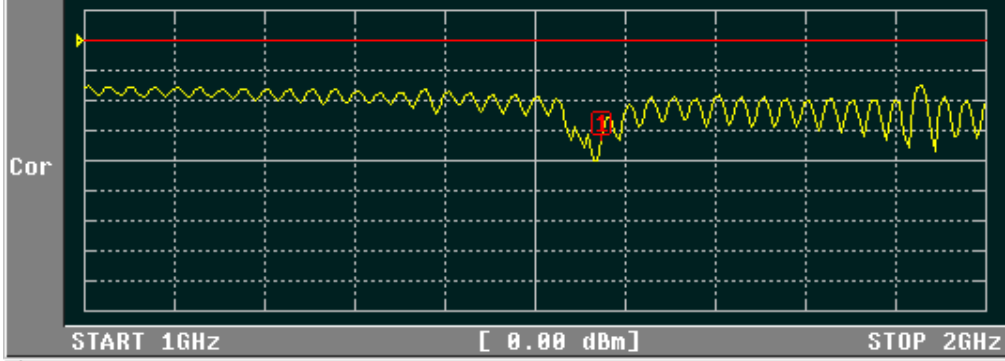
Physical Condition	
Construction	Polycarbonate- radome at top, die-cast shell at bottom/ rubber gasket for water seal in between
Dimension	40.5mm (L) x 38mm (W) x 12.3mm (H)
Weight	50 grams (excluding cable & connector)
Standard Mounting	Magnet mount with two magnets & screw mount
Environmental Conditions	
Operation temperature	-40°C to +85°C
Storage temperature	-40°C to +100°C
Relative Humidity	95% non-condensing
Cable & Connector	
Cable	3 meter RG174/U
Pulling Strength	6 Kg @ 5sec with molded plastics on connector end for strain relief
Connector Available	SMA(M)
Antenna Element	
Center Frequency	1575.42 MHz +/-1.023MHz
Polarization	R.H.C.P. (Right Handed Circular Polarization)
Gain	3 dBic Typ.
VSWR	2.0:1

(This specification is subject to change without prior notice)

Note: 1: Cable Loss=(-1.2dB/m)



CH1 RFL LOG MAG MKR 1: 1.575GHz  
REF 0.000 dB 5.000 dB/ -16.431 dB



CH1 MARKER LIST

- 1: 1.575 000GHz -16.431 dB
- 2:
- 3:
- 4:
- 5:
- 6:
- 7:
- 8:
- 9:
- 10:

FORMAT

LOG MAG

PHASE

DELAY

SMITH (R+jX)

SMITH (G+jB)

POLAR

LIN MAG

More 1/2